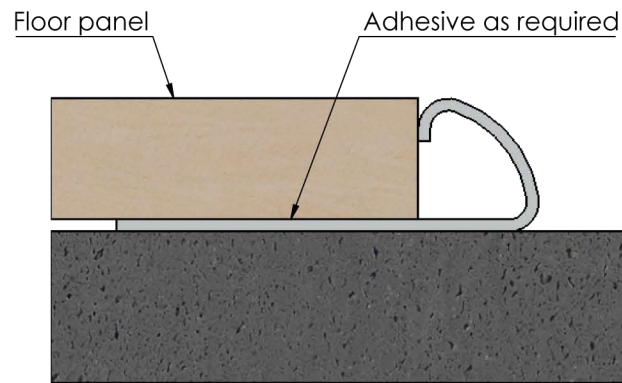
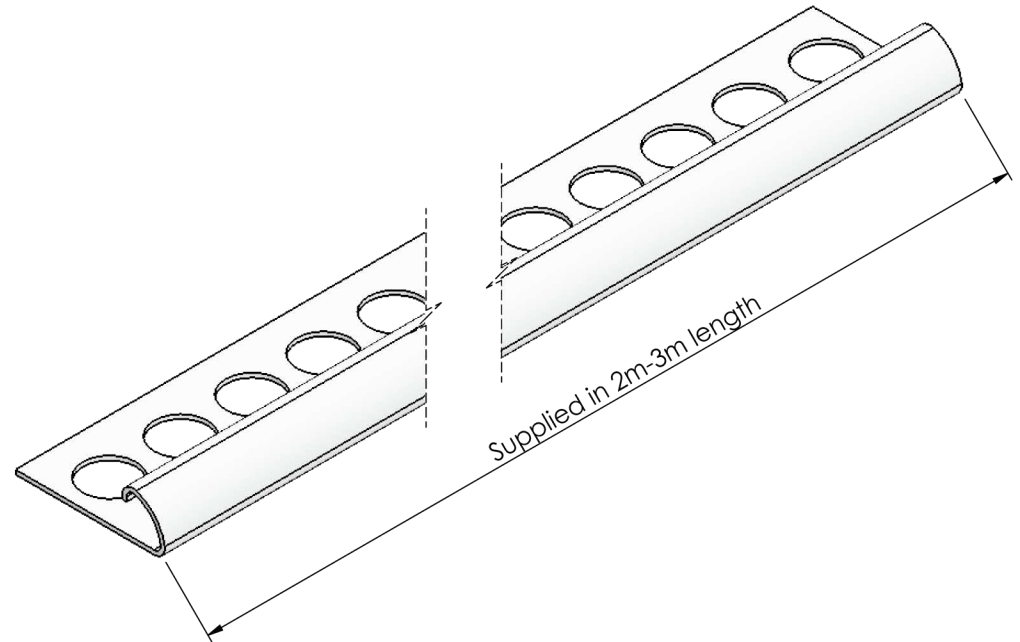


Section view


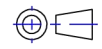


Typical installation detail



Alusite reserves the right to amend product specifications without notice.
Product may vary from what is presented herein.

Document date:19/08/2019.

| | | | | |
|--|-----------------|---|-------|---|
| TITLE | | Stainless Steel trim | |  www.alusite.com |
| BASE CODE | PRODUCTION REF. | DATASHEET REF. | | |
| xxxxxxxxxxxx | S-TR080 | Stainless Steel trim Data Sheet | | |
| MATERIAL | WEIGHT |  .X ± 0.1 .XX ± 0.01 $\leq \pm 0.25^\circ$ | SCALE | REVISION |
| 6063 - T5 | TBD | | | |
| Alusite Precision Co.,Ltd. - 92,92/1-4 Moo 1 T.Homsin, Bangpakong, Chachengsao 24180 Thailand Ph: +66 38 571612 to 3, +66 38 842748 to 9, E:contact@alusite.com | | | SHEET | 0 |
| This drawing is the property of Alusite Precision Co.,Ltd. Pty Ltd. The information displayed here is confidential. It is not to be used, copied, or disclosed without our permission. | | | 1/1 | |