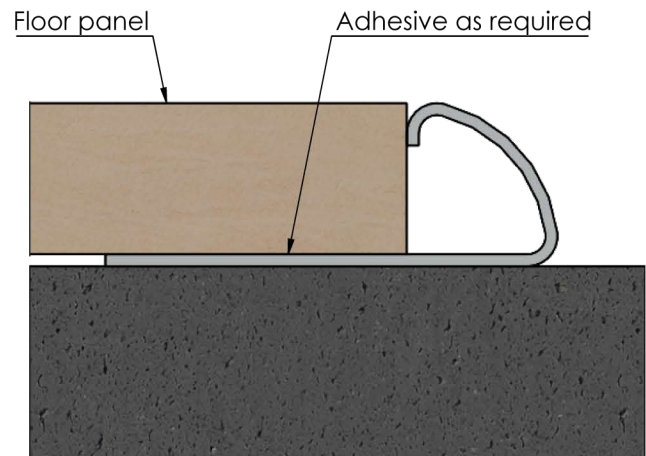
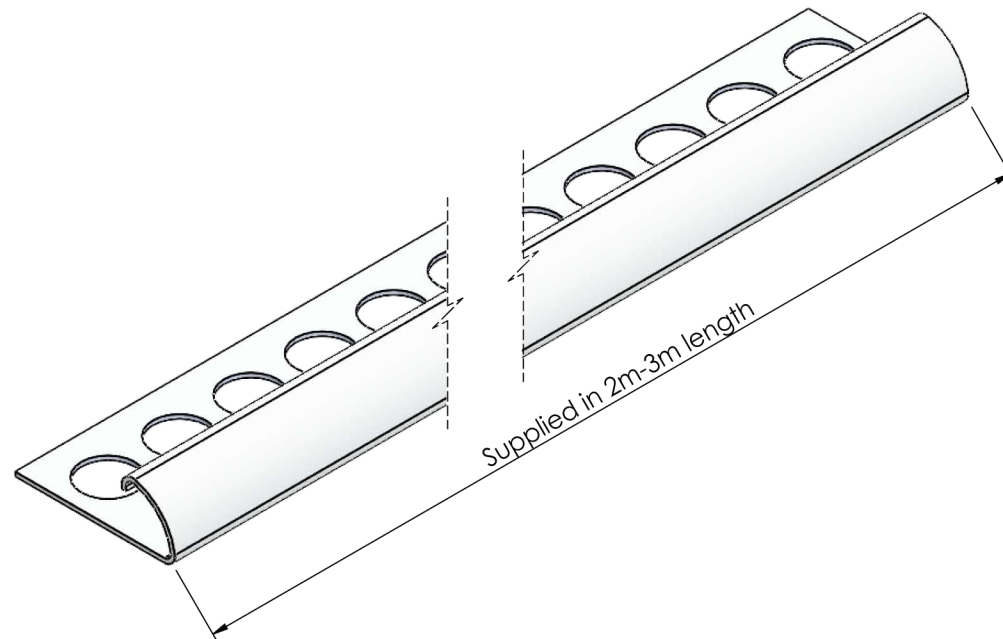


Section view


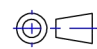


Typical installation detail



Alusite reserves the right to amend product specifications without notice.  
Product may vary from what is presented herein.

Document date:19/08/2019.

TITLE		Stainless Steel trim		 <a href="http://www.alusite.com">www.alusite.com</a>
BASE CODE	PRODUCTION REF.	DATASHEET REF.		
xxxxxxxxxxxx	S-TR100	Stainless Steel trim Data Sheet		
MATERIAL	WEIGHT	 .X ± 0.1 .XX ± 0.01 <math>\leq \pm 0.25^\circ</math>	SCALE	REVISION
6063 - T5	TBD			
Alusite Precision Co.,Ltd. - 92,92/1-4 Moo 1 T.Homsin, Bangpakong, Chachengsao 24180 Thailand Ph: +66 38 571612 to 3, +66 38 842748 to 9, E:contact@alusite.com			1/1	0
This drawing is the property of Alusite Precision Co.,Ltd. Pty Ltd. The information displayed here is confidential. It is not to be used, copied, or disclosed without our permission.				