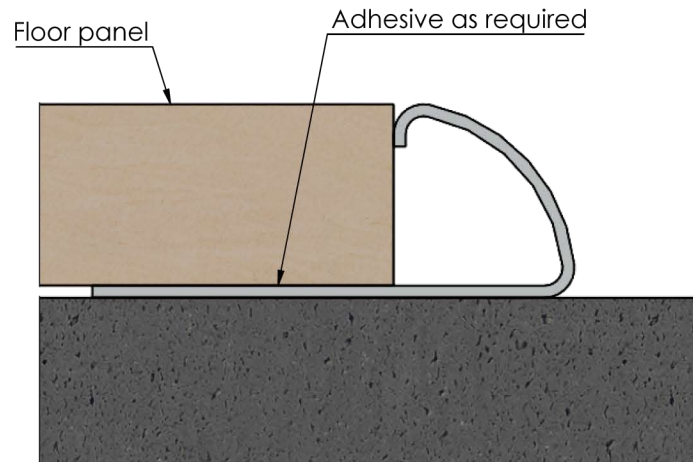
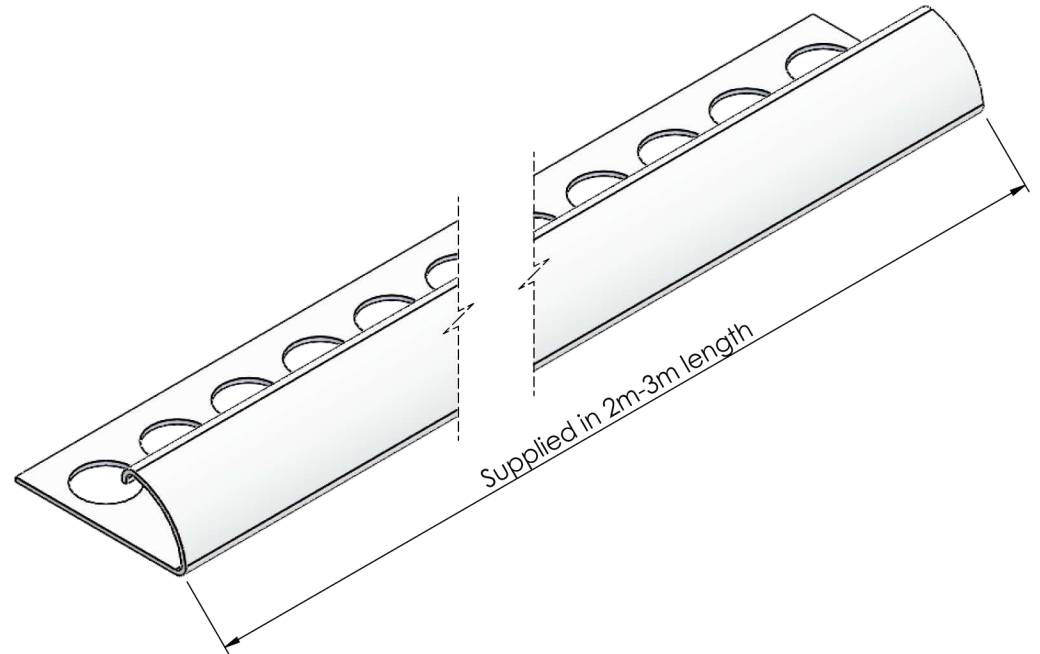


Section view

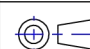


Typical installation detail



Alusite reserves the right to amend product specifications without notice.
Product may vary from what is presented herein.

Document date:19/08/2019.

TITLE		Stainless Steel trim	
BASE CODE XXXXXXXXXXXX	PRODUCTION REF. S-TR120	DATASHEET REF. Stainless Steel trim Data Sheet	
MATERIAL 6063 - T5	WEIGHT TBD		.X ± 0.1 .XX ± 0.01 ≤ ± 0.25°
Alusite Precision Co.,Ltd. - 92,92/1-4 Moo 1 T.Homsin, Bangpakong, Chachengsao 24180 Thailand Ph: +66 38 571612 to 3, +66 38 842748 to 9, E:contact@alusite.com		SCALE <SCALE>	REVISION
This drawing is the property of Alusite Precision Co.,Ltd. Pty Ltd. The information displayed here is confidential. It is not to be used, copied, or disclosed without our permission.		SHEET 1/1	0



www.alusite.com