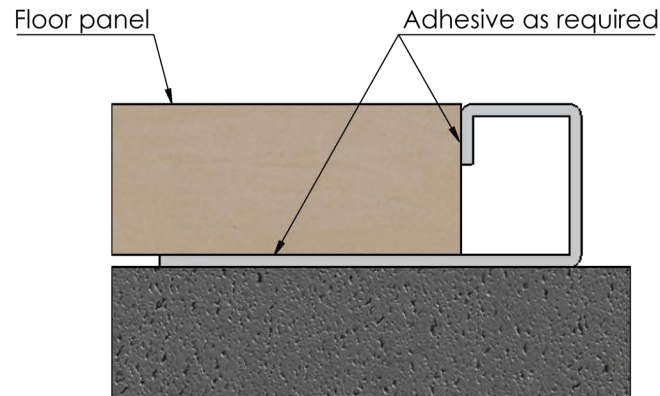
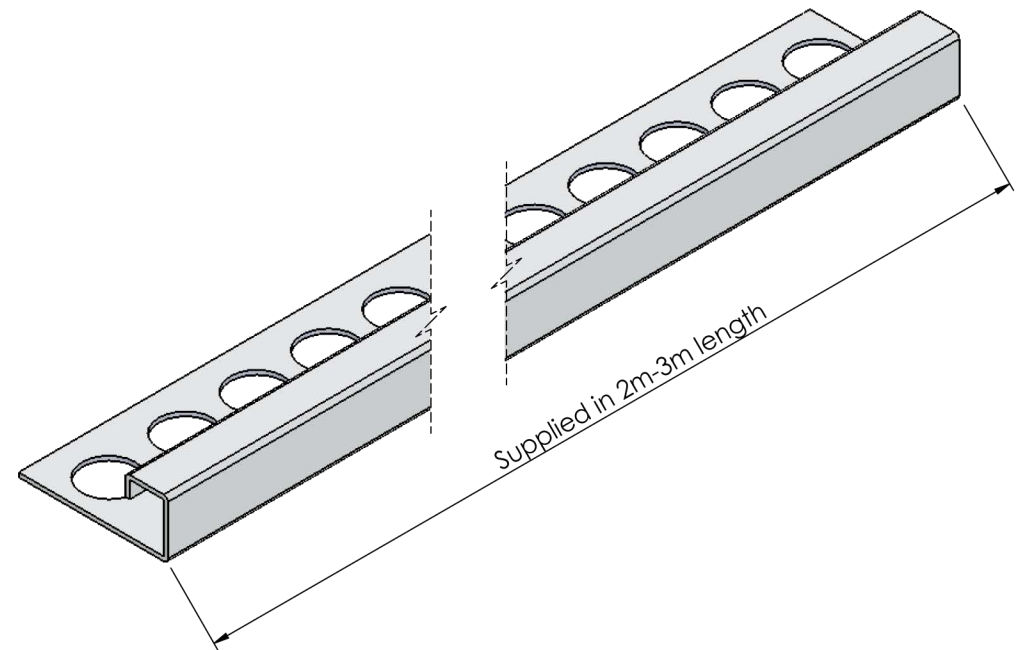



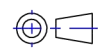
Section view



Typical installation detail

Alusite reserves the right to amend product specifications without notice.  
Product may vary from what is presented herein.

Document date:19/09/2019.

TITLE		Stainless Steel trim		 <a href="http://www.alusite.com">www.alusite.com</a>
BASE CODE	PRODUCTION REF.	DATASHEET REF.		
xxxxxxxxxxx	S-TQV100	Stainless Steel trim Data Sheet		
MATERIAL	WEIGHT	 .X ± 0.1 .XX ± 0.01 ≤ ± 0.25°	SCALE	REVISION
6063 - T5	TBD		<SCALE>	0
Alusite Precision Co.,Ltd. - 92,92/1-4 Moo 1 T.Homsin, Bangpakong, Chachengsao 24180 Thailand Ph: +66 38 571612 to 3, +66 38 842748 to 9, E:contact@alusite.com			SHEET	
This drawing is the property of Alusite Precision Co.,Ltd. Pty Ltd. The information displayed here is confidential. It is not to be used, copied, or disclosed without our permission.			1/1	