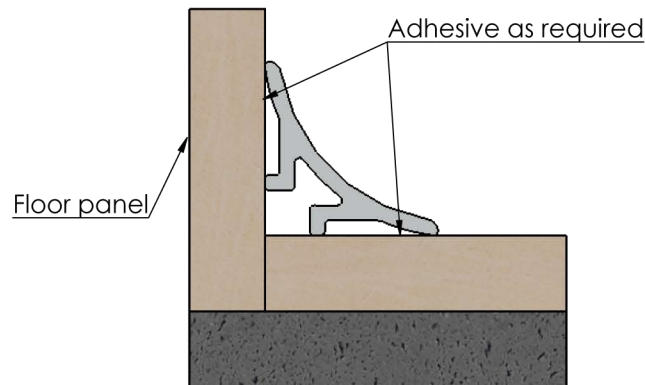
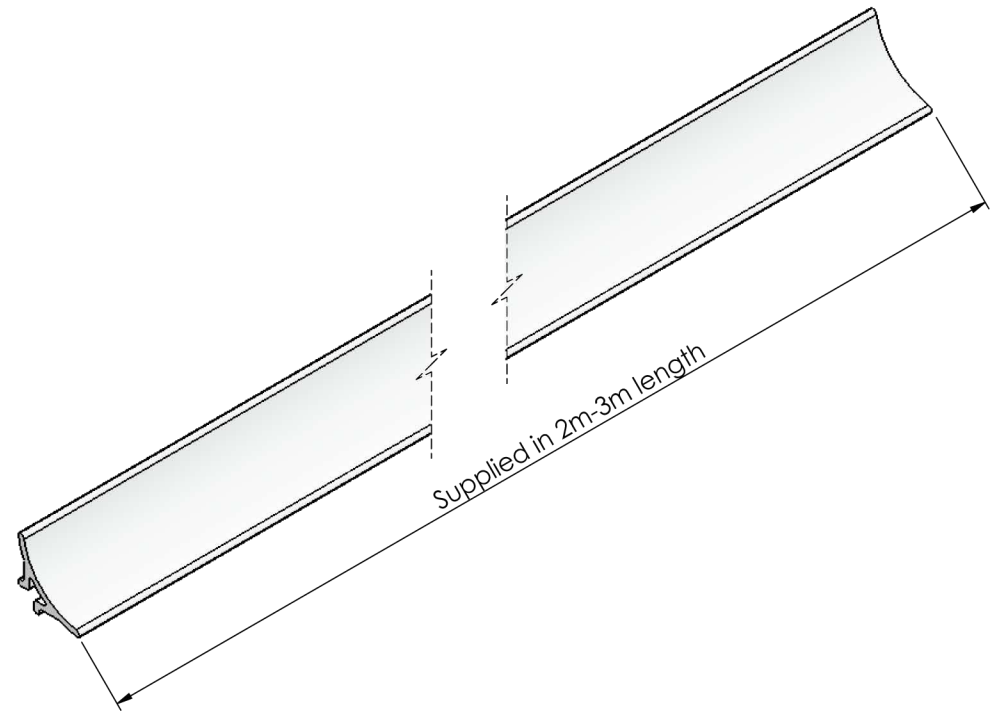



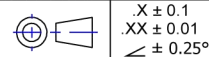
Section view



Typical installation detail

Alusite reserves the right to amend product specifications without notice.  
Product may vary from what is presented herein.

Document date:31/05/2019.

TITLE			 <a href="http://www.alusite.com">www.alusite.com</a>	
Aluminium Internal Trim				
BASE CODE XXXXXX	PRODUCTION REF. TI16	DATASHEET REF. TI16 Internal trim Data Sheet		SCALE <SCALE>  SHEET 1/1
MATERIAL 6063 - T5	WEIGHT TBD			
Alusite Precision Co.,Ltd. - 92,92/1-4 Moo 1 T.Homsin, Bangpakong, Chachengsao 24180 Thailand Ph: +66 38 571612 to 3, +66 38 842748 to 9, E:contact@alusite.com			REVISION  <div style="font-size: 2em; text-align: center;">0</div>	
<small>This drawing is the property of Alusite Precision Co.,Ltd. Pty Ltd. The information displayed here is confidential. It is not to be used, copied, or disclosed without our permission.</small>				