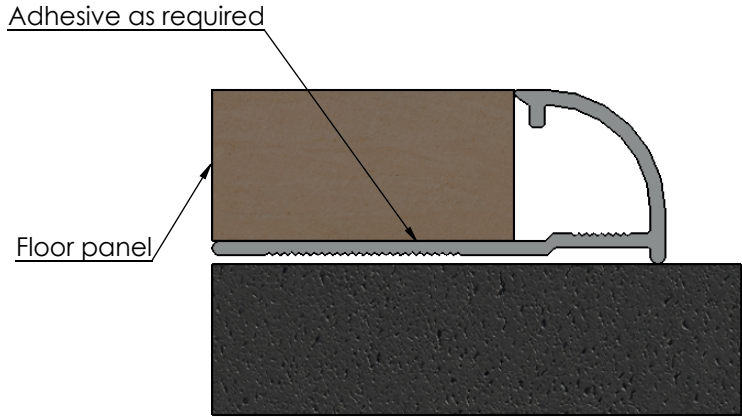
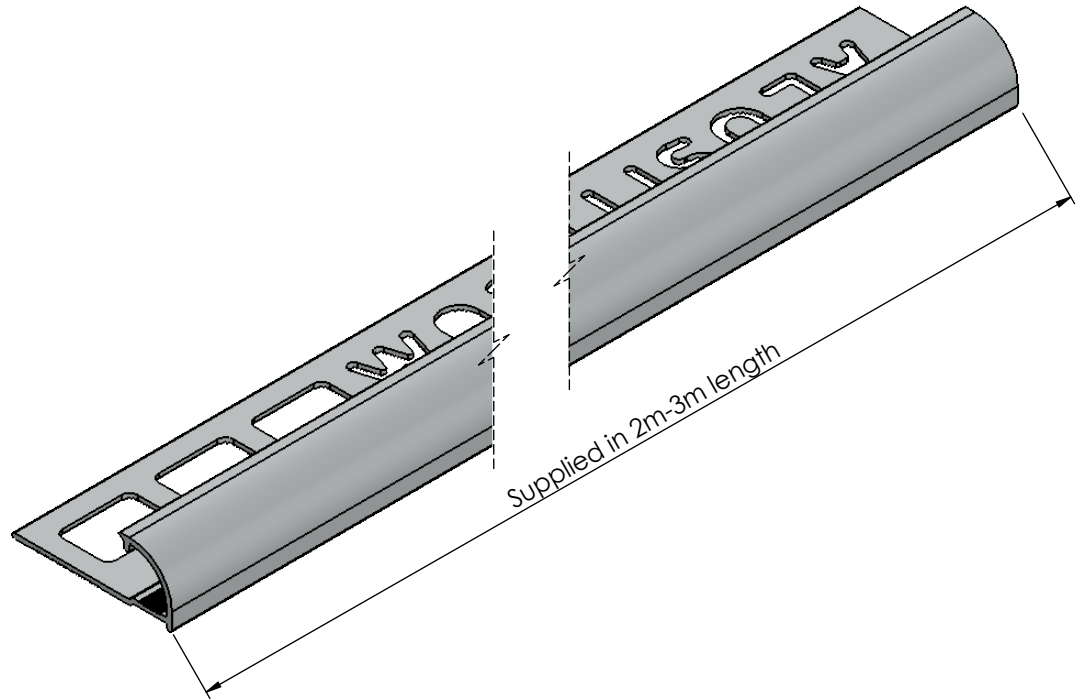



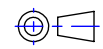
Section view



Typical installation detail

Alusite reserves the right to amend product specifications without notice. Product may vary from what is presented herein.

Document date:25/05/2019.

TITLE		Aluminium Round Trim		 www.alusite.com
BASE CODE	PRODUCTION REF.	DATASHEET REF.		
xxxxxxx	ATR100	Round Trim Data Sheet		
MATERIAL	WEIGHT		.X ± 0.1	SCALE <SCALE> SHEET 1/1
6063 - T5	TBD		.XX ± 0.01	
Alusite Precision Co.,Ltd. - 92,92/1-4 Moo 1 T.Homsin, Bangpakong, Chachengsao 24180 Thailand Ph: +66 38 571612 to 3, +66 38 842748 to 9, E:contact@alusite.com				REVISION 0
This drawing is the property of Alusite Precision Co.,Ltd. Pty Ltd. The information displayed here is confidential. It is not to be used, copied, or disclosed without our permission.				