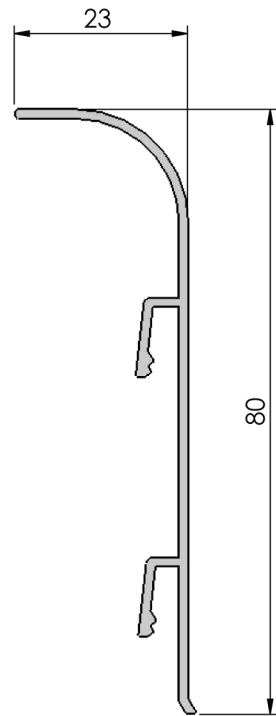
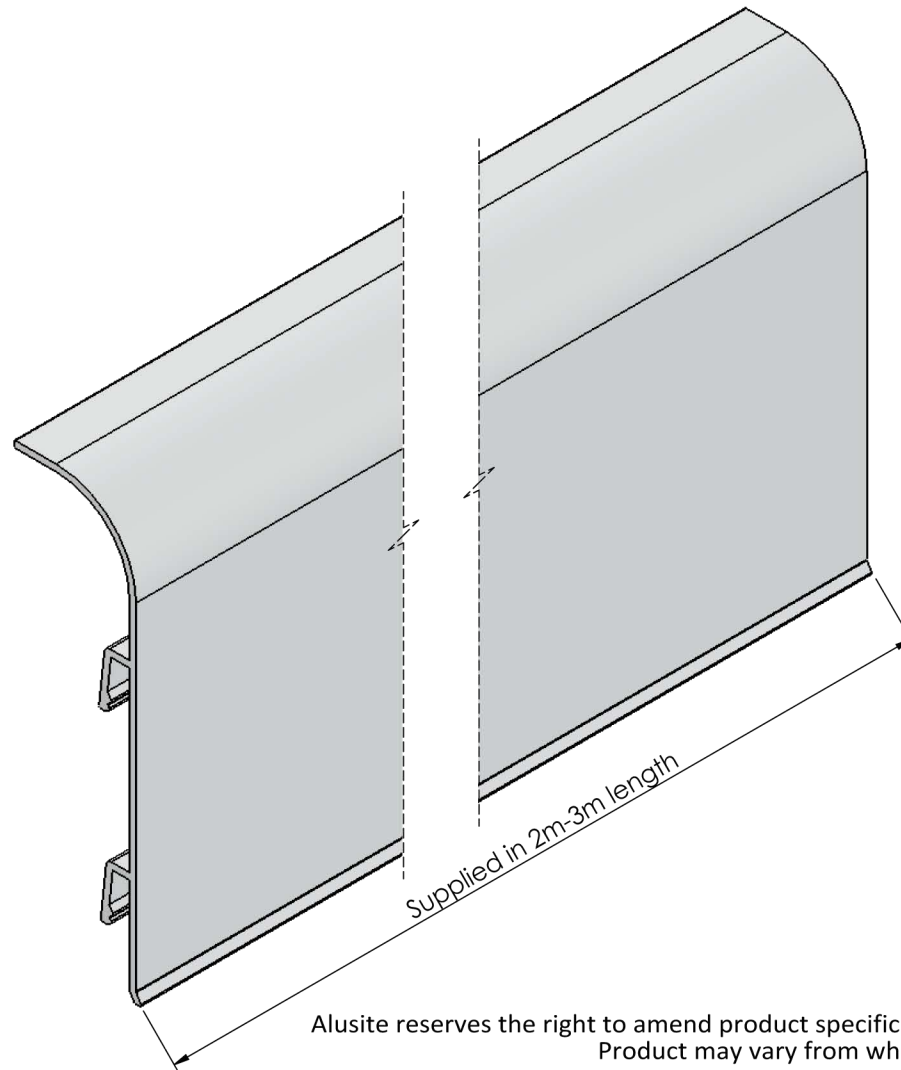


Typical installation detail


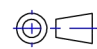


Section view



Alusite reserves the right to amend product specifications without notice.  
Product may vary from what is presented herein.

Document date:03/06/2019.

TITLE Aluminium Quick Clip Skirting			 <a href="http://www.alusite.com">www.alusite.com</a>
BASE CODE XXXXXX	PRODUCTION REF. SK-6A80	DATASHEET REF. 6A80 Quick Clip Skirting Data Sheet	
MATERIAL 6063 - T5	WEIGHT TBD	 .X ± 0.1 .XX ± 0.01 < ± 0.25°	SCALE <SCALE>
Alusite Precision Co.,Ltd. - 92,92/1-4 Moo 1 T.Homsin, Bangpakong, Chachengsao 24180 Thailand Ph: +66 38 571612 to 3, +66 38 842748 to 9, E:contact@alusite.com			REVISION <b>0</b>
This drawing is the property of Alusite Precision Co.,Ltd. Pty Ltd. The information displayed here is confidential. It is not to be used, copied, or disclosed without our permission.			SHEET 1/1