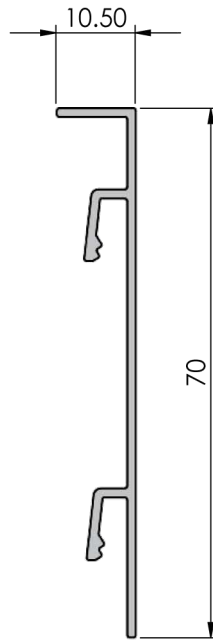
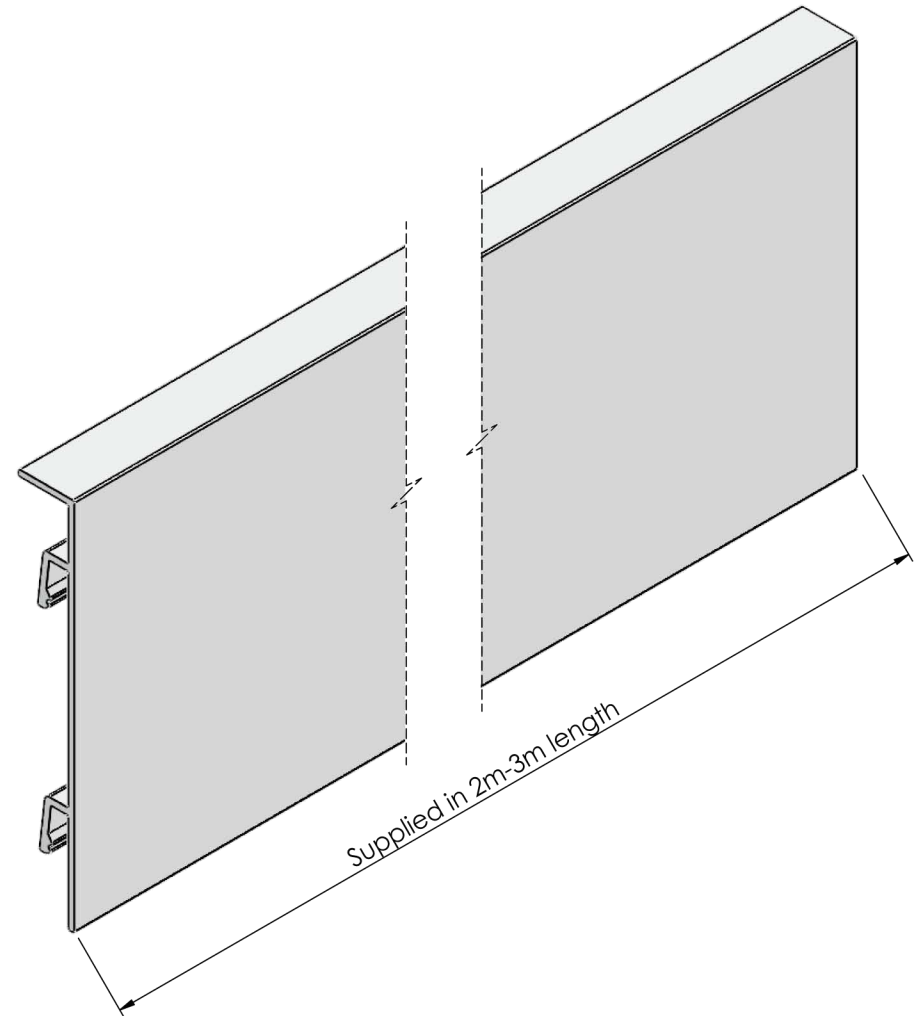


Typical installation detail


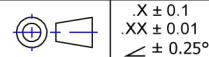


Section view



Alusite reserves the right to amend product specifications without notice.
Product may vary from what is presented herein.

Document date:28/08/2019.

TITLE Aluminium Quick Clip Skirting			 www.alusite.com
BASE CODE xxxxxxxxxxx	PRODUCTION REF. SKSQ70	DATASHEET REF. SKSQ70 Quick Clip Skirting Data Sheet	
MATERIAL 6063 - T5	WEIGHT TBD		SCALE <SCALE> SHEET 1/1
Alusite Precision Co.,Ltd. - 92,92/1-4 Moo 1 T.Homsin, Bangpakong, Chachengsao 24180 Thailand Ph: +66 38 571612 to 3, +66 38 842748 to 9, E:contact@alusite.com			
This drawing is the property of Alusite Precision Co.,Ltd. Pty Ltd. The information displayed here is confidential. It is not to be used, copied, or disclosed without our permission.			