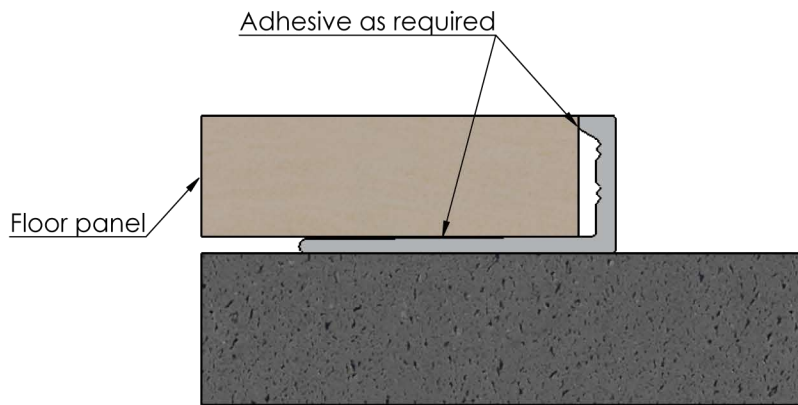
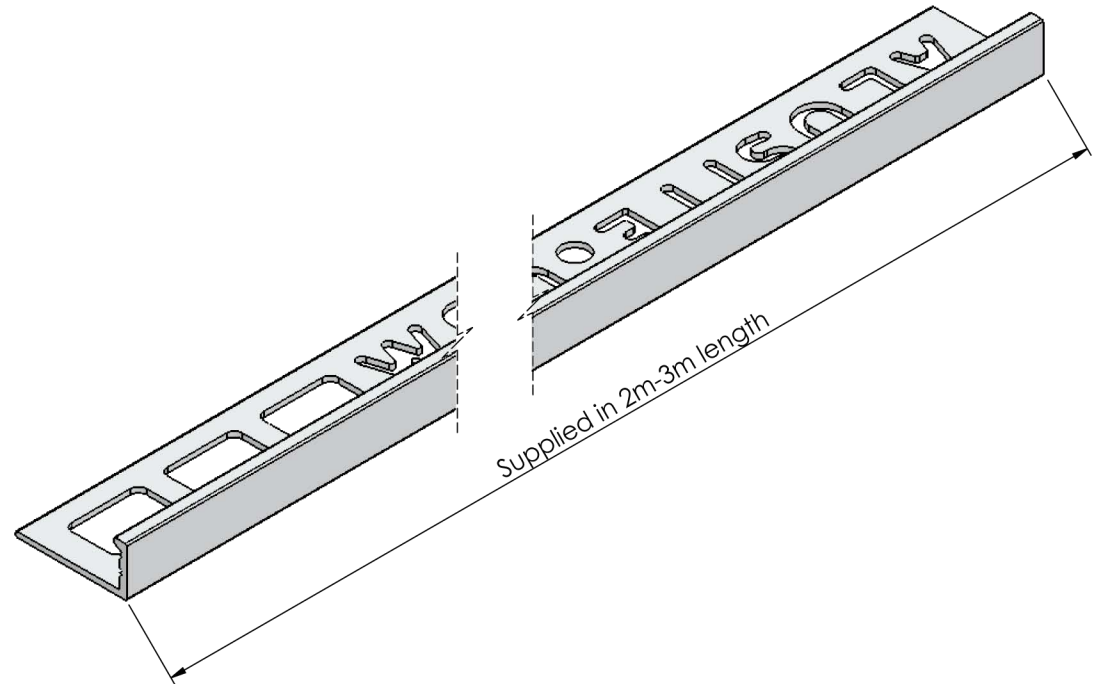


Section view



Typical installation detail

Alusite reserves the right to amend product specifications without notice.
Product may vary from what is presented herein.

Document date:25/05/2019.

| | | | | | |
|----------------------------------------------------------------------------------------------------------------------------------------------------------------------------------------|-----------------|--------------------------|------------|-------------------------|----------|
| TITLE | | | | Aluminium Straight Trim | |
| BASE CODE | PRODUCTION REF. | DATASHEET REF. | | | |
| XXXXXX | TSD080 | Straight Trim Data Sheet | | | |
| MATERIAL | WEIGHT | | .X ± 0.1 | | |
| 6063 - T5 | TBD | | .XX ± 0.01 | | |
| Alusite Precision Co.,Ltd. - 92,92/1-4 Moo 1 T.Homsin, Bangpakong, Chachengsao 24180 Thailand Ph: +66 38 571612 to 3, +66 38 842748 to 9, E:contact@alusite.com | | | SCALE | | REVISION |
| This drawing is the property of Alusite Precision Co.,Ltd. Pty Ltd. The information displayed here is confidential. It is not to be used, copied, or disclosed without our permission. | | | <SCALE> | | 0 |
| | | | SHEET | | |
| | | | 1/1 | | |



www.alusite.com