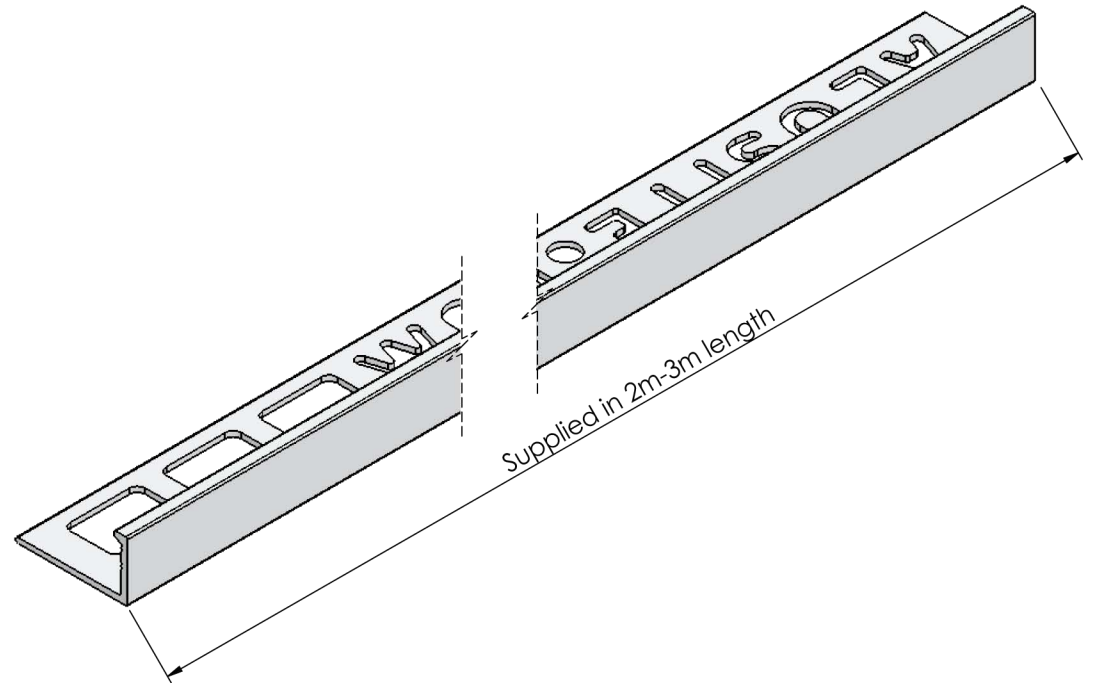


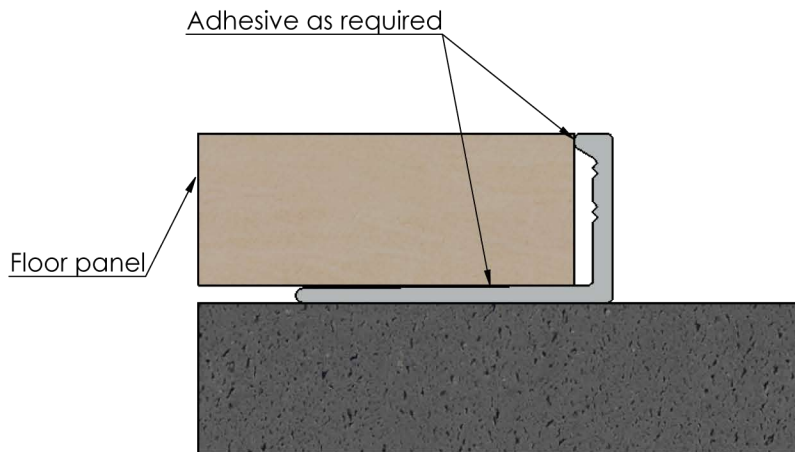
Section view



Supplied in 2m-3m length

Alusite reserves the right to amend product specifications without notice.
Product may vary from what is presented herein.

Document date:25/05/2019.



Typical installation detail

TITLE				Aluminium Straight Trim	
BASE CODE	PRODUCTION REF.	DATASHEET REF.			
xxxxxx	TSD100	Straight Trim Data Sheet			
MATERIAL	WEIGHT		.X ± 0.1	 www.alusite.com	
6063 - T5	TBD		.XX ± 0.01		
Alusite Precision Co.,Ltd. - 92,92/1-4 Moo 1 T.Homsin, Bangpakong, Chachengsao 24180 Thailand Ph: +66 38 571612 to 3, +66 38 842748 to 9, E:contact@alusite.com			SCALE	REVISION	
This drawing is the property of Alusite Precision Co.,Ltd. Pty Ltd. The information displayed here is confidential. It is not to be used, copied, or disclosed without our permission.			<SCALE>	0	
			SHEET		
			1/1		