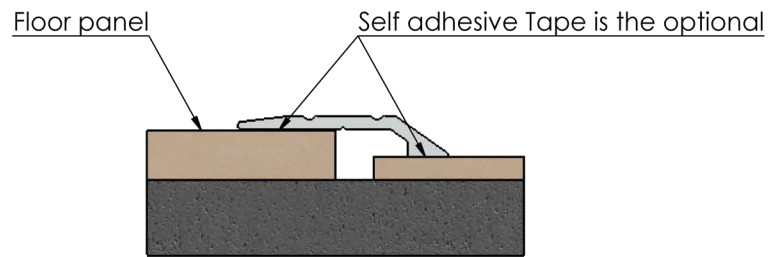
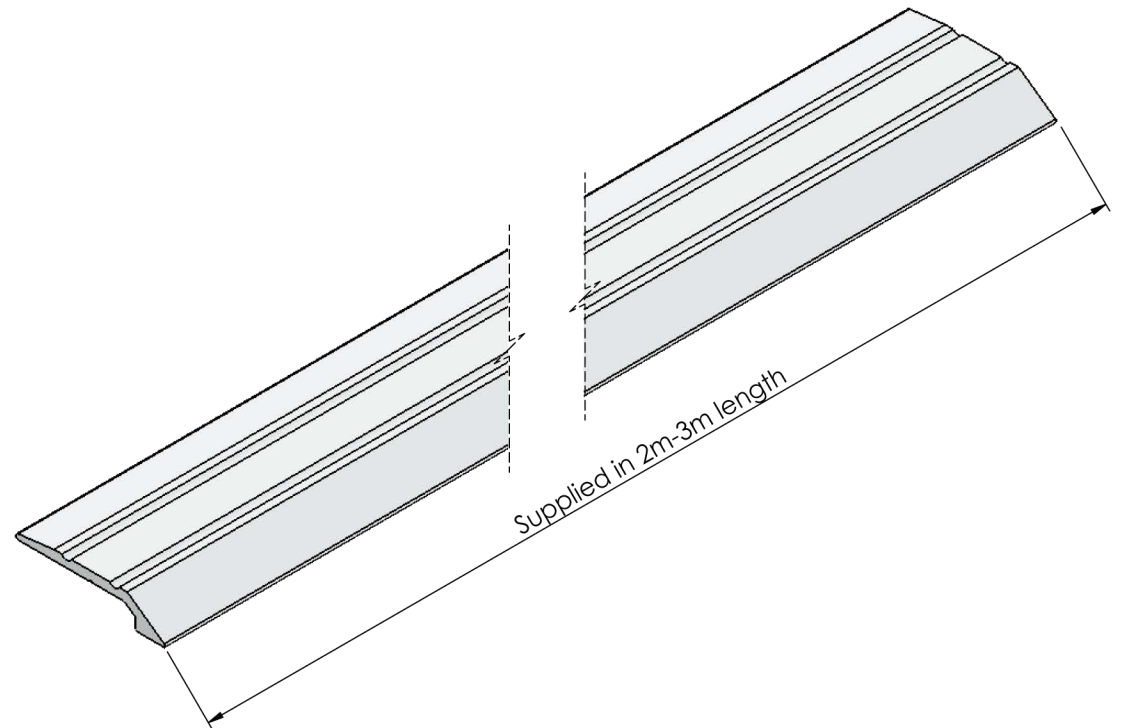



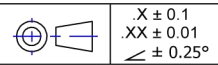
Section view



Typical installation detail

Alusite reserves the right to amend product specifications without notice.
Product may vary from what is presented herein.

Document date:28/06/2019.

TITLE			 www.alusite.com	
Aluminium Ramp Transition				
BASE CODE	PRODUCTION REF.	DATASHEET REF.		
xxxxxx	RE-AD007	Ramp Transition Data Sheet		
MATERIAL	WEIGHT			
6063 - T5	TBD			
Alusite Precision Co.,Ltd. - 92,92/1-4 Moo 1 T.Homsin, Bangpakong, Chachengsao 24180 Thailand Ph: +66 38 571612 to 3, +66 38 842748 to 9, E:contact@alusite.com			SCALE	REVISION
This drawing is the property of Alusite Precision Co.,Ltd. Pty Ltd. The information displayed here is confidential. It is not to be used, copied, or disclosed without our permission.			<SCALE>	0
			SHEET	
			1/1	