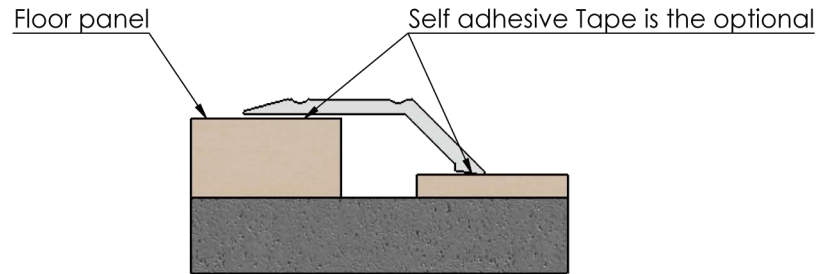
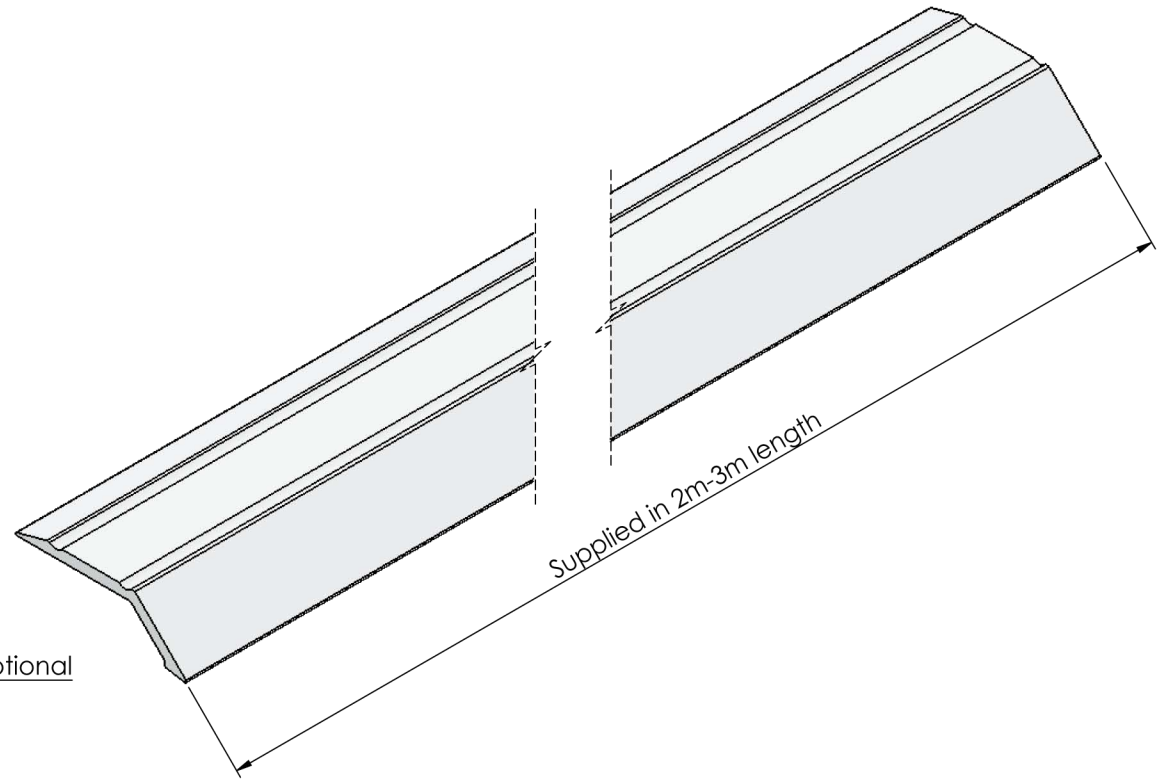



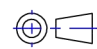
Section view



Typical installation detail

Alusite reserves the right to amend product specifications without notice.  
Product may vary from what is presented herein.

Document date:28/06/2019.

|  |                             |   |                                     |   |
|--|-----------------------------|---|-------------------------------------|---|
| TITLE<br>Aluminium Ramp Transition   |                             |   |                                     | <br><a href="http://www.alusite.com">www.alusite.com</a> |
| BASE CODE<br>XXXXXX  | PRODUCTION REF.<br>RE-A3598 | DATASHEET REF.<br>Ramp Transition Data Sheet  |                                     |   |
| MATERIAL<br>6063 - T5  | WEIGHT<br>TBD               |  | .X ± 0.1<br>.XX ± 0.01<br>∠ ± 0.25° | SCALE<br><SCALE><br>REVISION<br><b>0</b>  |
| Alusite Precision Co.,Ltd. - 92,92/1-4 Moo 1 T.Homsin, Bangpakong,<br>Chachengsao 24180 Thailand<br>Ph: +66 38 571612 to 3, +66 38 842748 to 9, E:contact@alusite.com                  |                             |   |                                     |   |
| This drawing is the property of Alusite Precision Co.,Ltd. Pty Ltd. The information displayed here is confidential. It is not to be used, copied, or disclosed without our permission. |                             |   |                                     |   |
| SHEET<br>1/1   |                             |   |                                     |   |