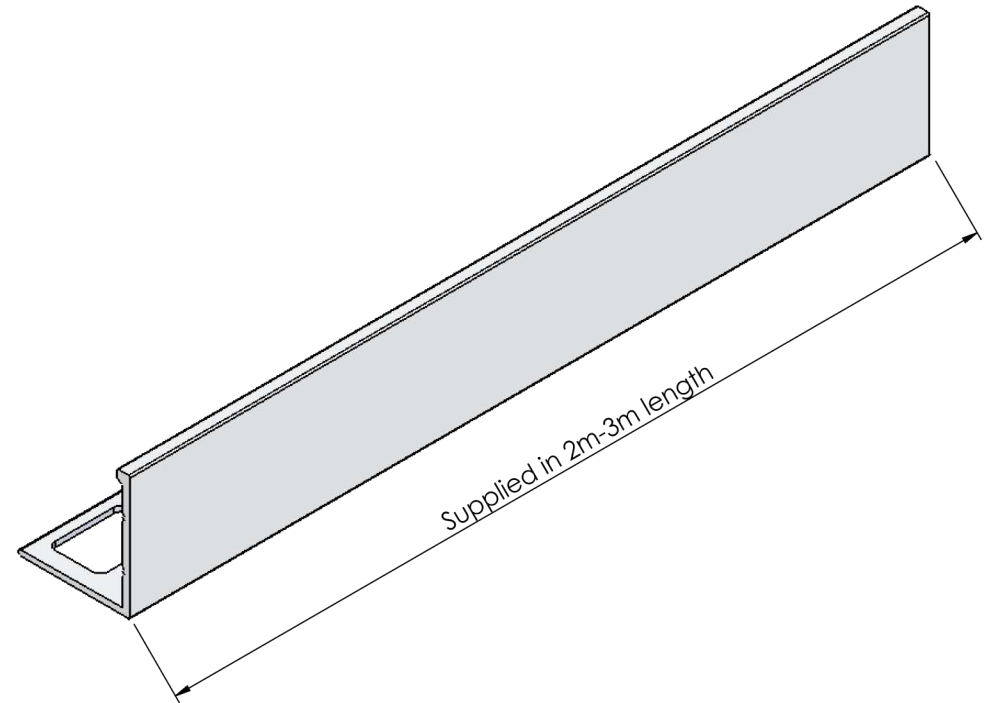


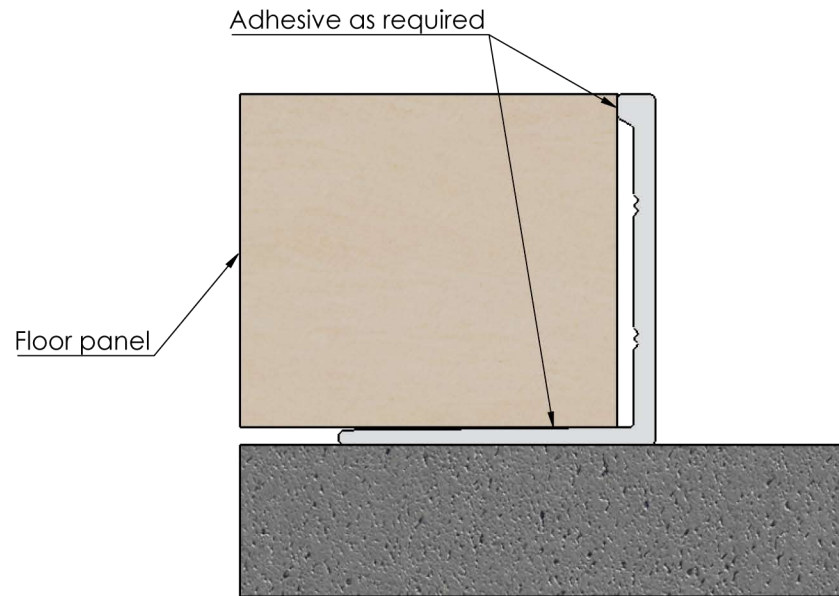
Section view




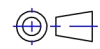
Supplied in 2m-3m length

Alusite reserves the right to amend product specifications without notice.
Product may vary from what is presented herein.

Document date:17/09/2019.



Typical installation detail

TITLE				Aluminium Straight Trim	
BASE CODE	PRODUCTION REF.	DATASHEET REF.		 www.alusite.com	
xxxxxxxxxxx	TSD220	Straight Trim Data Sheet			
MATERIAL	WEIGHT		.X ± 0.1	SCALE <SCALE> SHEET 1/1	
6063 - T5	TBD		.XX ± 0.01		
Alusite Precision Co.,Ltd. - 92,92/1-4 Moo 1 T.Homsin, Bangpakong, Chachengsao 24180 Thailand Ph: +66 38 571612 to 3, +66 38 842748 to 9, E:contact@alusite.com				REVISION 0	
This drawing is the property of Alusite Precision Co.,Ltd. Pty Ltd. The information displayed here is confidential. It is not to be used, copied, or disclosed without our permission.					