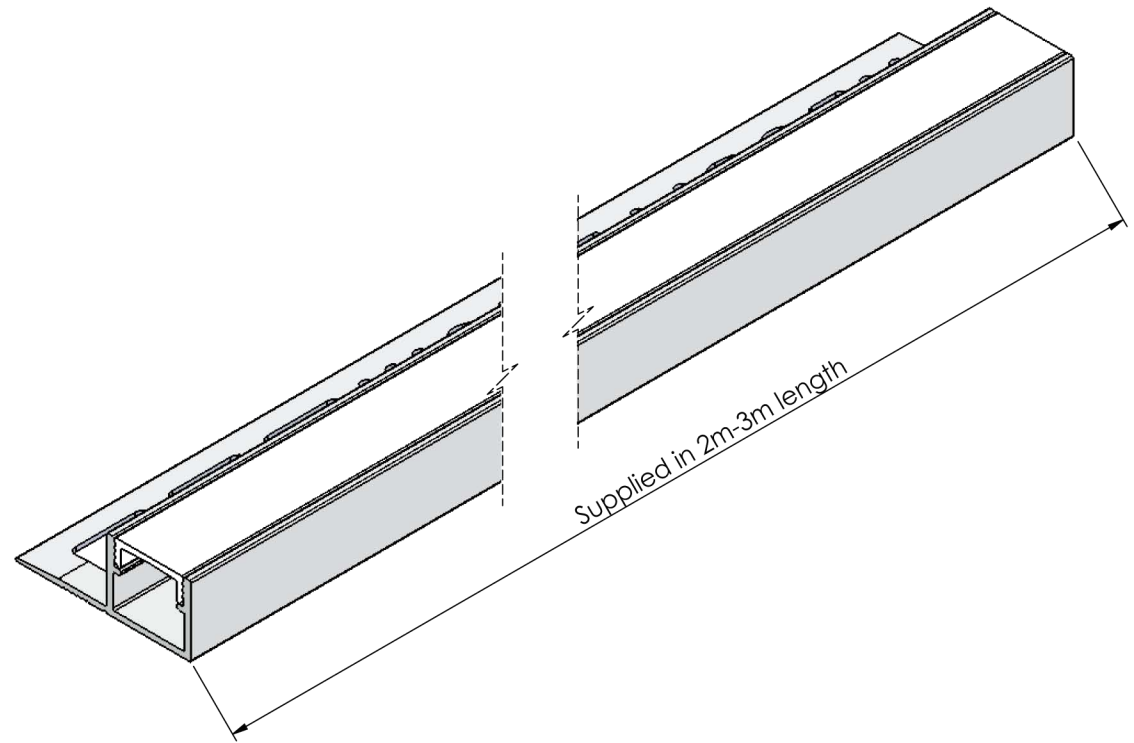

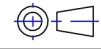


Typical installation detail



Alusite reserves the right to amend product specifications without notice.
Product may vary from what is presented herein.

Document date:18/07/2019.

TITLE Aluminium Lightning Square Trim			 www.alusite.com
BASE CODE XXXXXX	PRODUCTION REF. TSLD120	DATASHEET REF. Lightning Square Trim Data Sheet	
MATERIAL 6063 - T5	WEIGHT TBD	 .X ± 0.1 .XX ± 0.01 ∠ ± 0.25°	SCALE <SCALE>
Alusite Precision Co.,Ltd. - 92,92/1-4 Moo 1 T.Homsin, Bangpakong, Chachengsao 24180 Thailand Ph: +66 38 571612 to 3, +66 38 842748 to 9, E:contact@alusite.com			REVISION 0
This drawing is the property of Alusite Precision Co.,Ltd. Pty Ltd. The information displayed here is confidential. It is not to be used, copied, or disclosed without our permission.			SHEET 1/1