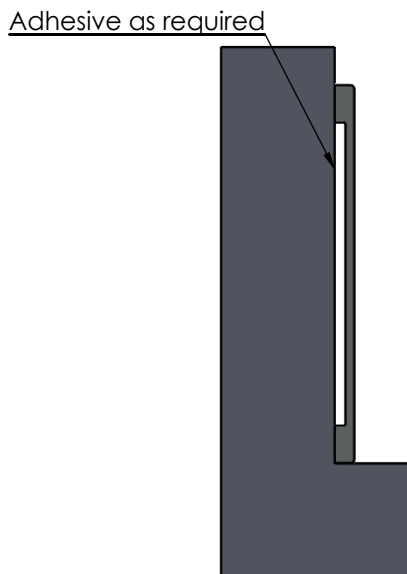
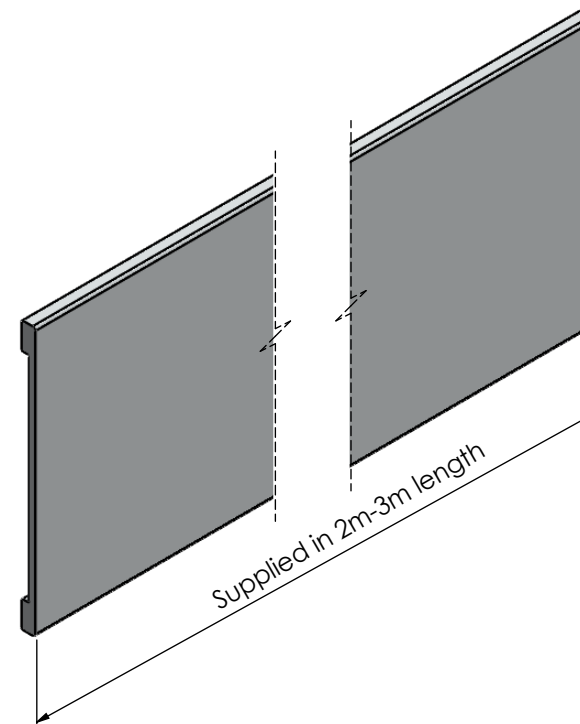


Section View


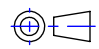


Typical installation detail



Alusite reserves the right to amend product specifications without notice.
Product may vary from what is presented herein.

Document date:14/07/2023.

TITLE		Aluminium Skirting		 www.alusite.com
BASE CODE	PRODUCTION REF.	DATASHEET REF.		
xxxxxxx	SKFL050	Round Trim Data Sheet		
MATERIAL	WEIGHT	 .X ± 0.1 .XX ± 0.01 ≤ ± 0.25°	SCALE	REVISION
6063 - T5	TBD			
Alusite Precision Co.,Ltd. - 92,92/1-4 Moo 1 T.Homsin, Bangpakong, Chachengsao 24180 Thailand Ph: +66 38 571612 to 3, +66 38 842748 to 9, E:contact@alusite.com			SHEET	0
This drawing is the property of Alusite Precision Co.,Ltd. Pty Ltd. The information displayed here is confidential. It is not to be used, copied, or disclosed without our permission.			1/1	